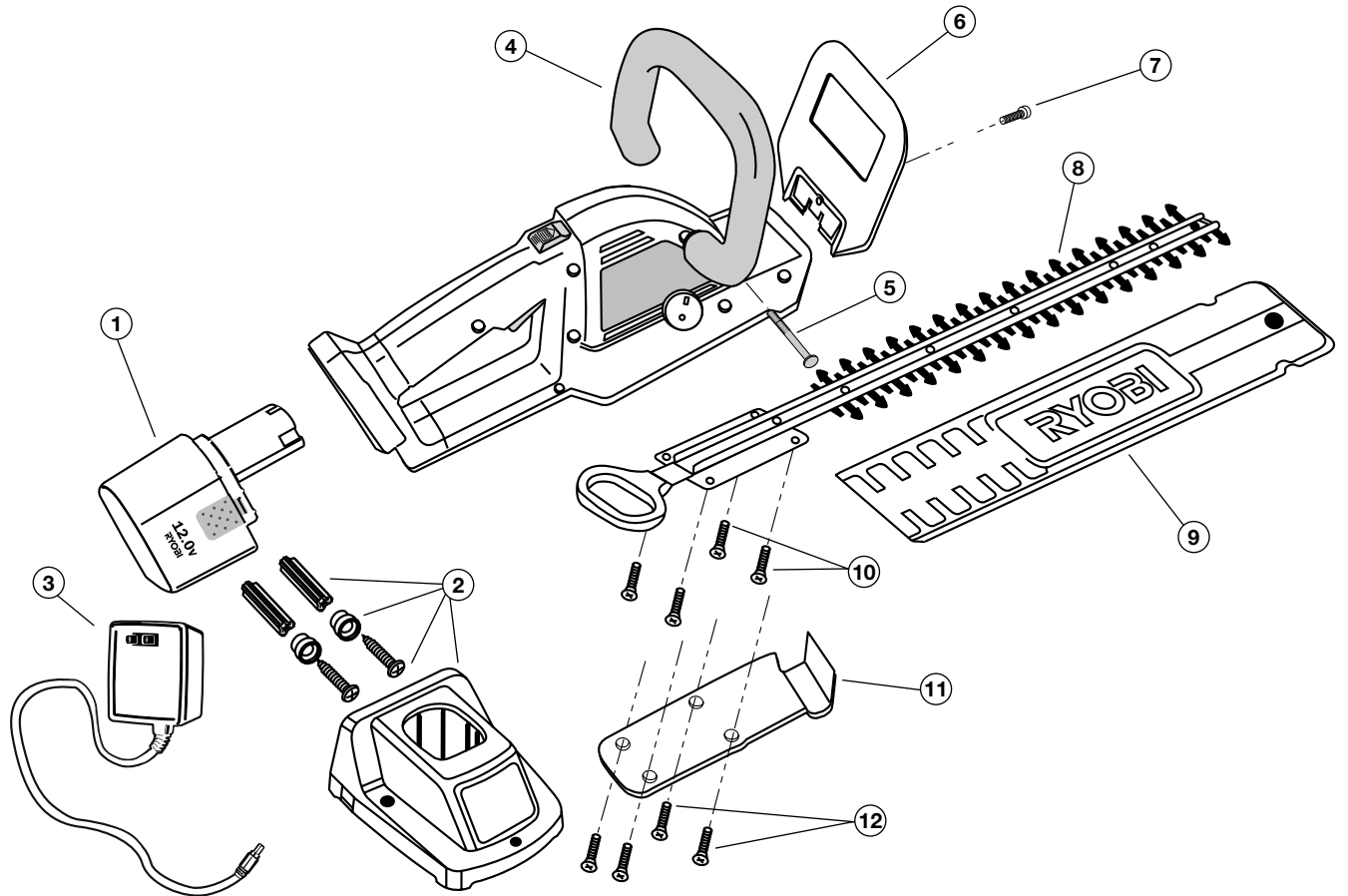


REPLACEMENT PARTS - MODEL HT12V 12 VOLT BATTERY HEDGE TRIMMER

(Serial Number 803000001 and greater)



Item	Part No.	Description
1	181918	12 Volt Battery
2	181919	Charging Stand
3	181925	12 Volt Charger (Model No. 4400101)
4	181921	Front Handle (Wrap-Around)
5	181662	Front Handle Screw
6	181923	Guard
7	181665	Guard Screw
8	181920	Replacmant Blade
9	181922	Blade Cover
10	181667	Blade Screw
11	181924	Bottom Plate
12	181667	Bottom Plate Screw